

EUROPLAST Catch basins



CATCH BASINS

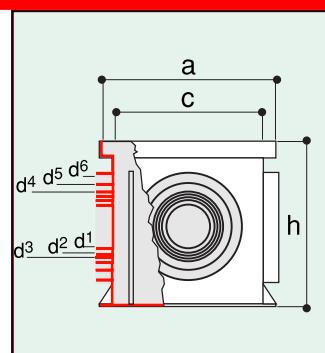
catch basin

NOTES	d1 - d2 - d3 - d4 d5 - d6	DIM.	PACK min/max	EURO	REF.
grey	∅ 63,82,100	200 x 200	1 - 300		05240
grey	∅ 75,90,110 Export	200 x 200	1 - 300		05068
grey	∅ 82,100,125,140	300 x 300	1 - 96		05241
grey	∅ 75,90,110,125, 160 Export	300 x 300	1 - 96		05087
grey	∅ 100,125,140, 160,200,250	400 x 400	1 - 36		05242
grey	∅ 160,200,250,315	550 x 550	1 - 16		05128
green	∅ 63,82,100	200 x 200	1 - 300		04716
green	∅ 82,100,125,140	300 x 300	1 - 96		04718
green	∅ 100,125,140, 160,200,250	400 x 400	1 - 36		04720



Inlet & outlet versatility

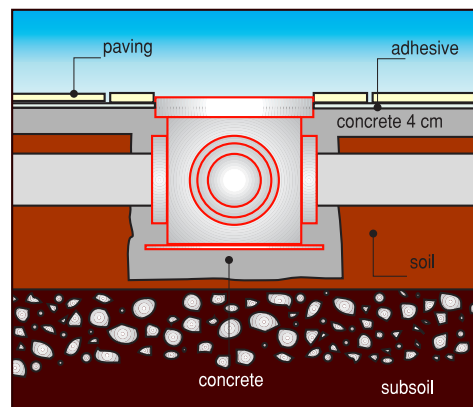
TECHNICAL SPECIFICATIONS



d1	d2	d3	d4	d5	d6	ref.	a	c	h
63	82	100	-	-	-	05240	189	161	200
75	90	110	-	-	-	05068	189	161	200
82	100	125	140	-	-	05241	286	253	297
75	90	110	125	160	-	05087	286	253	297
100	125	140	160	200	250	05242	384	355	397
160	200	250	315	-	-	05128	535	500	520

catch basin green

63	82	100	-	-	-	04716	189	161	200
82	100	125	140	-	-	04718	286	253	297
100	125	140	160	200	250	04720	384	355	397



APPLICATION

electric trap

NOTES	DIM.	PACK	EURO	REF.
height: 200 mm	280 x 280	6		04469



3 outlets



Easy to open



MATERIAL PP - GREY RAL 7035/GREEN

CATCH BASINS

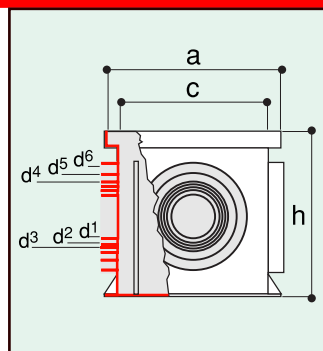


riser

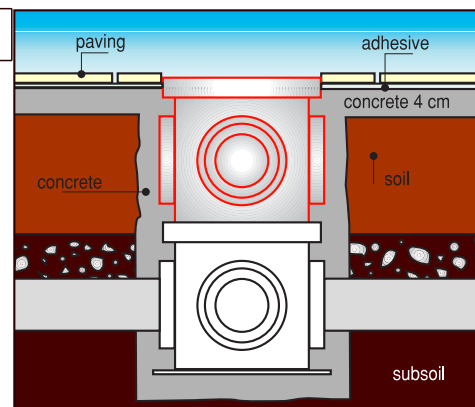


NOTES	DIM.	PACK min/max	EURO	REF.
grey ø 63,82,100	200 x 200	1 - 300		05243
grey ø 75,90,110 Export	200 x 200	1 - 300		05071
grey ø 82,100,125,140	300 x 300	1 - 96		05244
grey ø 75,90,110,125,160 Export	300 x 300	1 - 96		05086
grey ø 100,125,140,160,200,250	400 x 400	1 - 36		05245
grey ø 160,200,250,315	550 x 550	1 - 16		04887
green ø 63,82,100	200 x 200	1 - 300		04717
green ø 82,100,125,140	300 x 300	1 - 96		04719
green ø 100,125,140,160,200,250	400 x 400	1 - 36		04721

TECHNICAL SPECIFICATIONS



d1	d2	d3	d4	d5	d6	ref.	a	c	h
63	82	100	-	-	-	05243	189	161	200
75	90	110	-	-	-	05071	189	161	200
82	100	125	140	-	-	05244	286	253	297
75	90	110	125	160	-	05086	286	253	297
100	125	140	160	200	250	05245	384	355	397
160	200	250	315	-	-	04887	535	500	520
riser green									
63	82	100	-	-	-	04717	189	161	200
82	100	125	140	-	-	04719	286	253	297
100	125	140	160	200	250	04721	384	355	397



APPLICATION

MATERIAL PP - GREY RAL 7035/GREEN

BOTTOMLESS VALVE BOXES

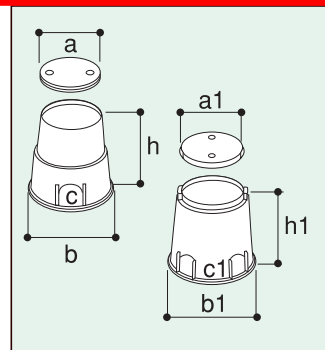


bottomless valve box (round version)

NOTES	BASE (b, b1)	COVER Ø	PACK min/max	EURO	REF.
height: (h): 230 mm	212	160	1 - 320		02823
height: (h1): 250 mm	300	240	1 - 144		02845

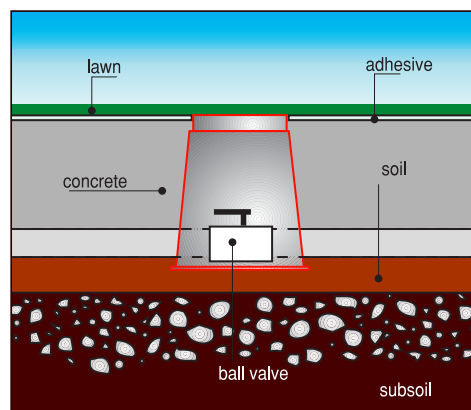


TECHNICAL SPECIFICATIONS



a	b	c	ref.
160	212	65	02823

a1	b1	c1	ref.
240	300	72	02845



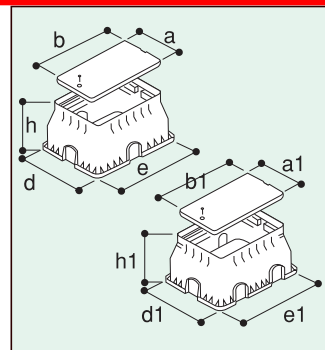
APPLICATION

bottomless valve box (rectangular version)

NOTES	BASE	COVER Ø	PACK min/max	EURO	REF.
height (h): 300 mm	370 x 500	260 x 390	1 - 60		02857
height (h1): 300 mm	500 x 640	350 x 500	1 - 112		02859

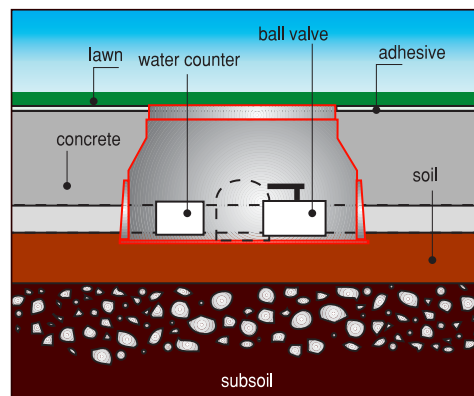


TECHNICAL SPECIFICATIONS



a	b	d	e	ref.
260	385	380	510	02857

a1	b1	d1	e1	ref.
350	500	500	640	02859



APPLICATION

MATERIAL PP - BLACK/GREEN

BOTTOMLESS VALVE BOXES

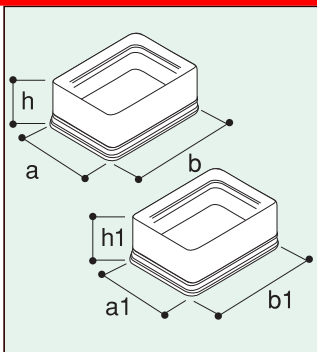


short riser for rectangular
bottomless valve box

NOTES	DIM.	PACK min/max	EURO	REF.
height (h): 165 mm	-	10		02865
height (h1): 165 mm	350 x 500	10		02939



TECHNICAL SPECIFICATIONS

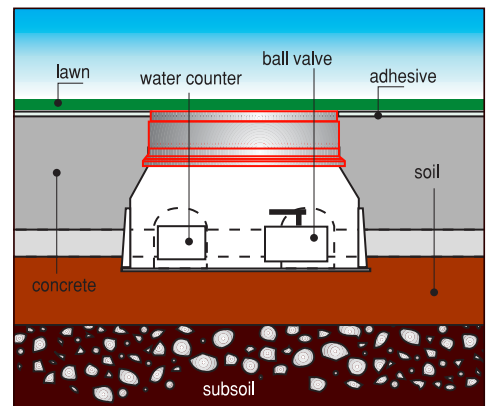


a	b	ref.
---	---	------

260	385	02865
-----	-----	--------------

a1	b1	ref.
----	----	------

350	500	02939
-----	-----	--------------



APPLICATION

MATERIAL PP - BLACK/GREEN

ACCESSORIES

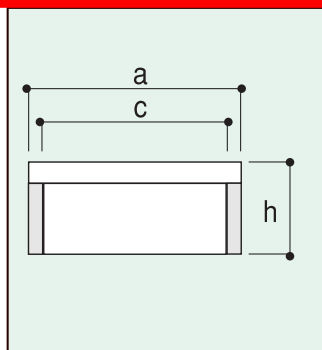


short riser

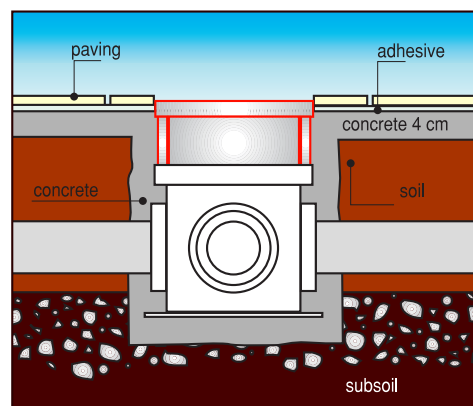
NOTES	DIM.	PACK min/max	EURO	REF.
height: mm 100	200 x 200	1 - 600		06121
height: mm 100	300 x 300	1 - 336		05721
height: mm 100	400 x 400	1 - 180		05722
height: mm 315	550 x 550	1 - 28		05723



TECHNICAL SPECIFICATIONS



h	a	c	ref.
100	189	161	06121
100	286	253	05721
100	384	355	05722
315	532	500	05723



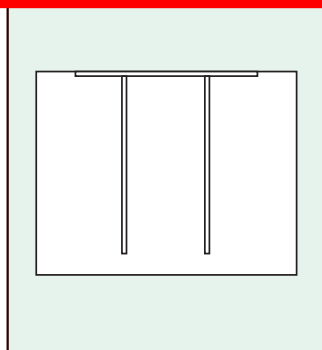
APPLICATION

removable baffle plate

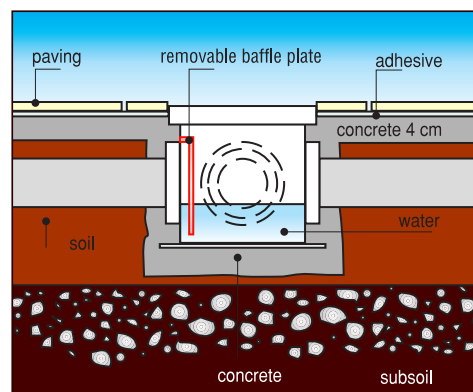
DIM.	PACK	EURO	REF.
200 x 200	10		02801
300 x 300	8		02995
400 x 400	4		03047
550 x 550	1		05728



TECHNICAL SPECIFICATIONS



ref.
02801
02995
03047
05728



APPLICATION

MATERIAL PP - GREY RAL 7035

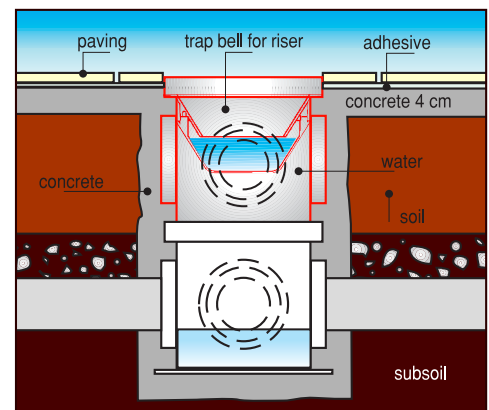
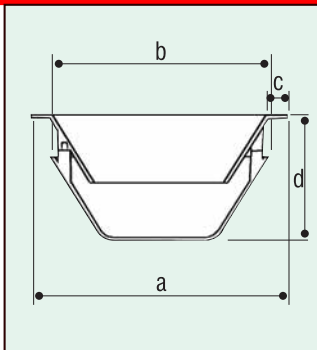
trap bell for riser

DIM.	PACK	EURO	REF.
300 x 300	1		05764
400 x 400	1		05765



TECHNICAL SPECIFICATIONS

a	b	c	d	cod.
249	238	5	160	05764
348	308	15	210	05765



APPLICATION

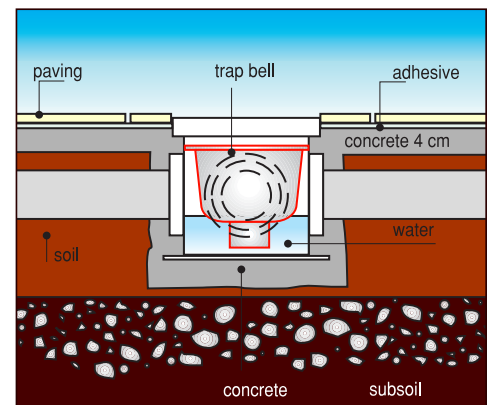
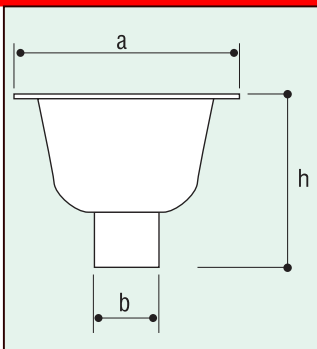
trap bell for catch basin

DIM.	PACK min/max	EURO	REF.
300 x 300	1 - 156		05724
400 x 400	1 - 54		05725



TECHNICAL SPECIFICATIONS

a	b	h	ref.
253	124	210	05724
350	160	300	05725



APPLICATION

MATERIAL PP - GREY RAL 7035

