

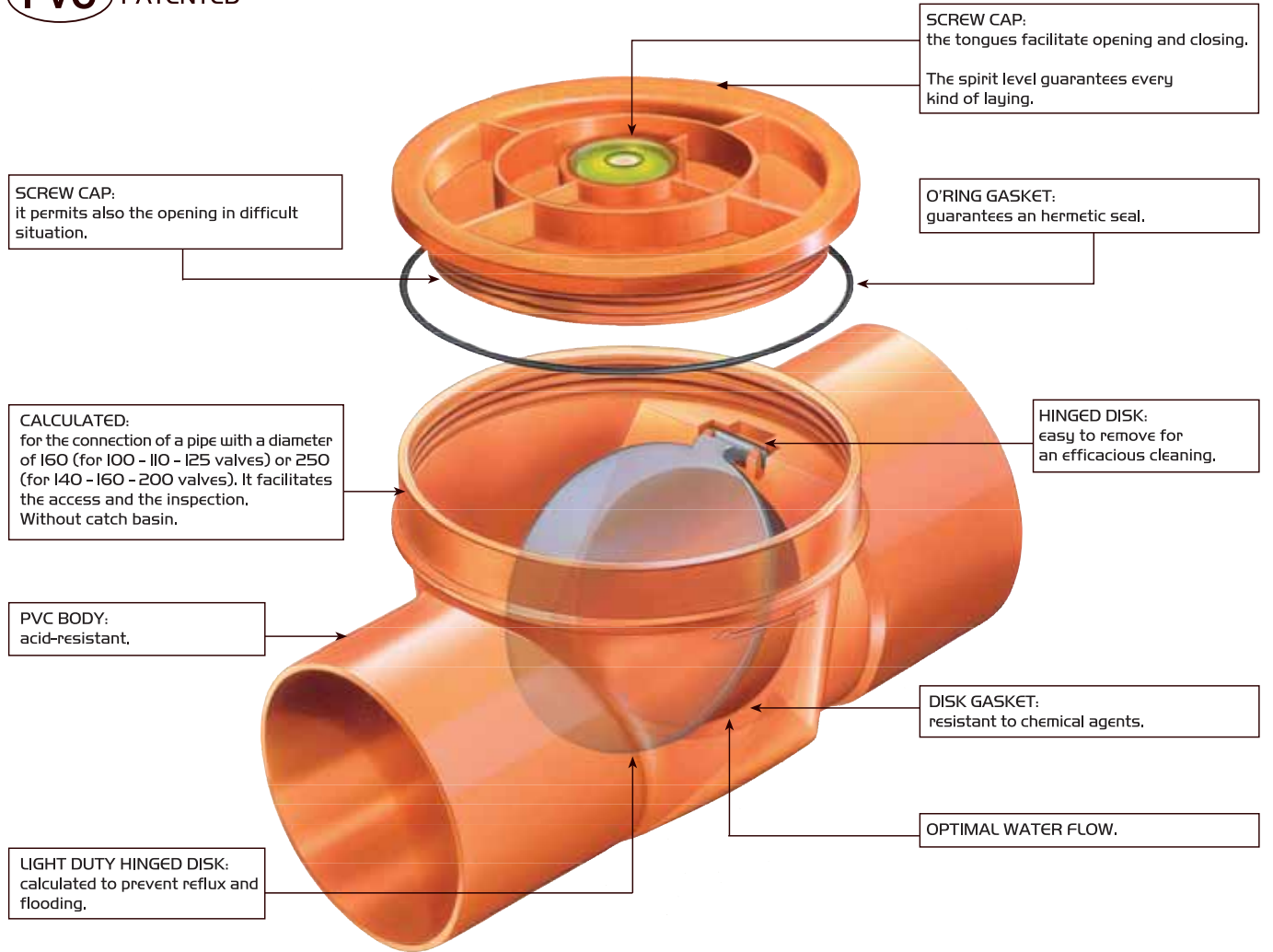


EURO PLAST Non return valves and siphons

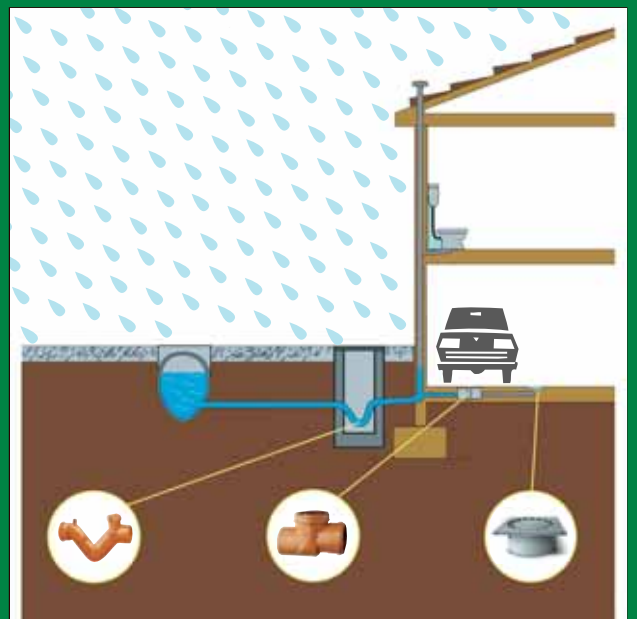
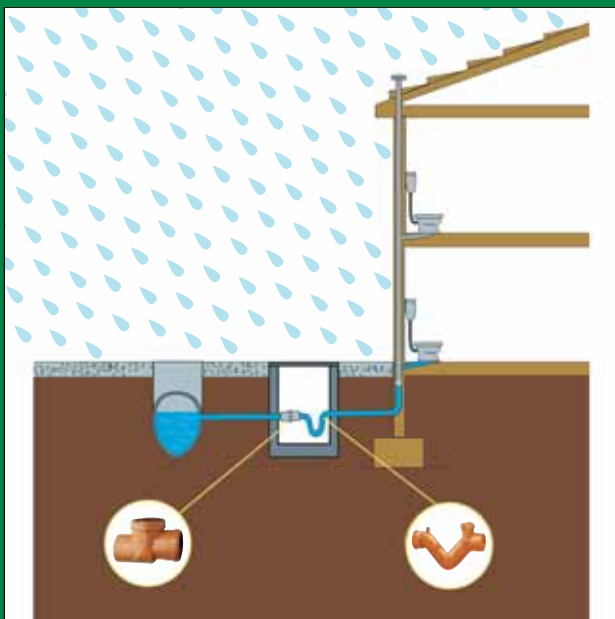
Non return valves
and siphons

NON RETURN VALVES

PVC PATENTED



EXAMPLES OF APPLICATION OF EUROPLAST NON RETURN VALVES AND SIPHONS



NON RETURN VALVES



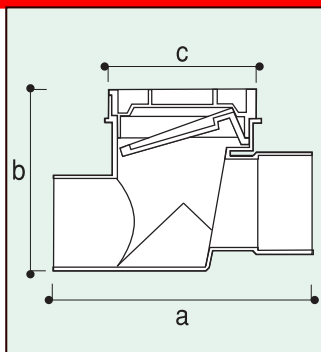
non return valve with spirit level

solvent socket RAL 8023 o'ring RAL 8023

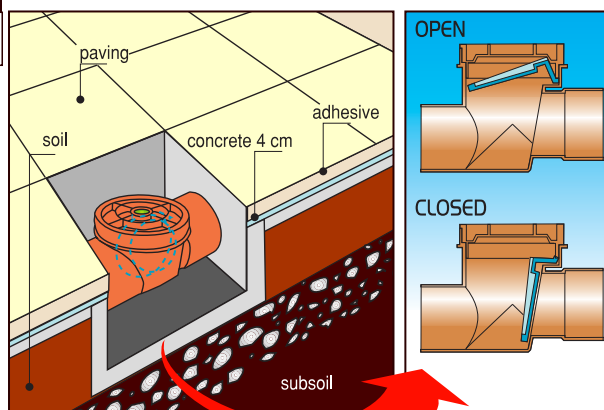
Ø mm	PACK	EURO	REF.	EURO	REF.
100	1		05246		-
110	1		05247		05251
125	1		05248		05252



TECHNICAL SPECIFICATIONS



			solvent socket	o'ring
a	b	c	ref.	ref.
260	170	154	05246	-
260	170	154	05247	05251
280	170	154	05248	05252



APPLICATION

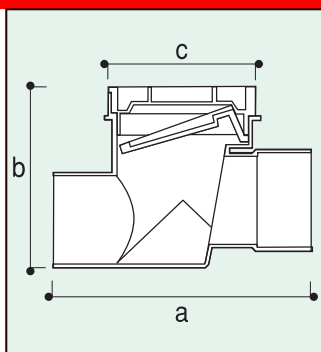
non return valve with spirit level

solvent socket RAL 8023 o'ring RAL 8023

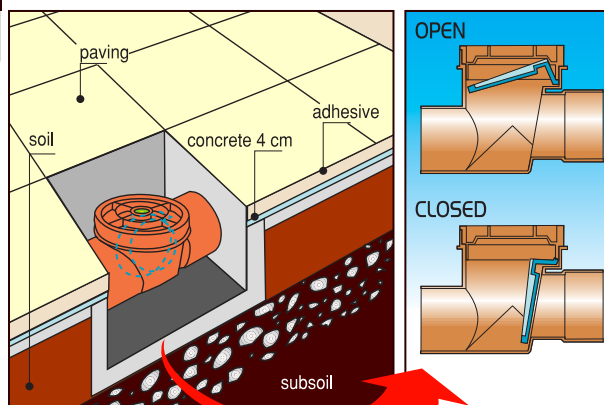
Ø mm	PACK	EURO	REF.	EURO	REF.
140	1		05743		-
160	1		05249		05253
200	1		05250		05254



TECHNICAL SPECIFICATIONS



			solvent socket	o'ring
a	b	c	ref.	ref.
366	257	236	05743	-
396	257	236	05249	05253
442	257	236	05250	05254



APPLICATION

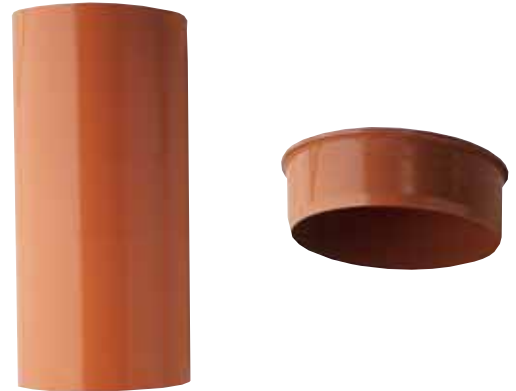
MATERIAL PVC - RAL 8023

NON RETURN VALVES



female cap and inlet sleeve mm 500

Ø mm	COVER RAL 8023		inlet sleeve RAL 8023		PACK
	EURO	REF.	EURO	REF.	
160		05695		05689	1

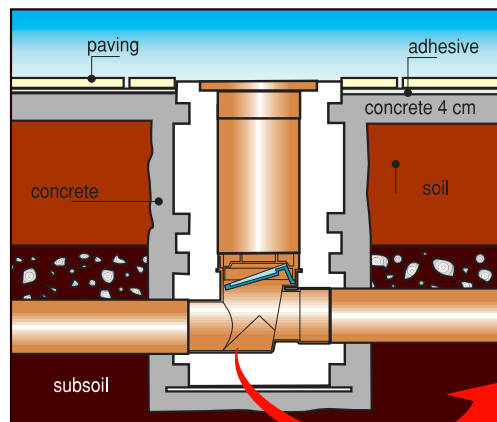


female cover mm 320 x 320 and inlet sleeve mm 500

Ø mm	COVER RAL 8023		inlet sleeve RAL 8023		PACK
	EURO	REF.	EURO	REF.	
250 brown		05688		05690	1
250 grey		05757		-	1



TECHNICAL SPECIFICATIONS



APPLICATION

MATERIAL PVC - RAL 8023

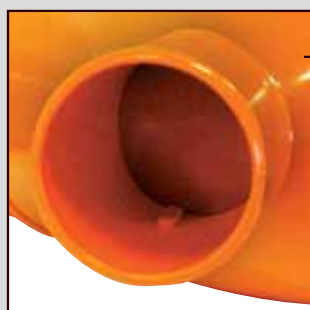
MONOLITHIC SIPHONS



monolithic Firenze siphon (1 cap / 1 hole)

ORANGE

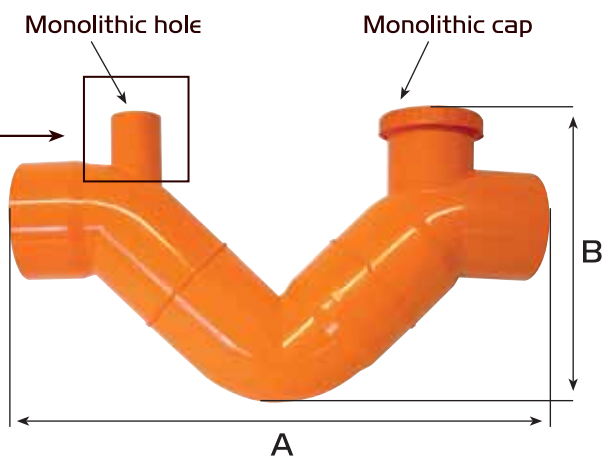
Ø mm	A mm	B mm	PACK	EURO	REF.
100	462	260	4		05402
125	504	285	4		05403
140	565	340	2		05404
160	647	377	2		05460
200	-	-	1		05462



Supplied closed and easy to open in building yard

KEY POINTS:

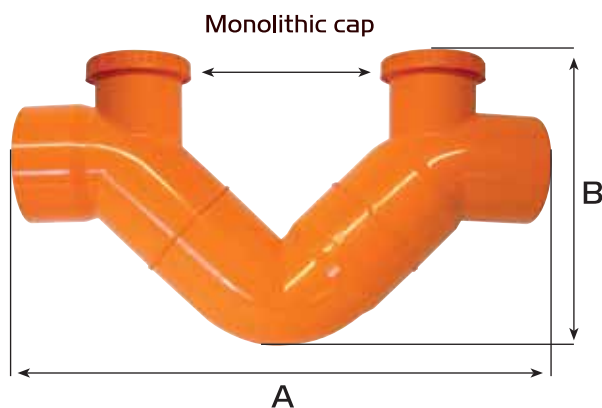
- cheaper (automatic production)
- easier stock management (1 item)
- stronger (monolithic structure).



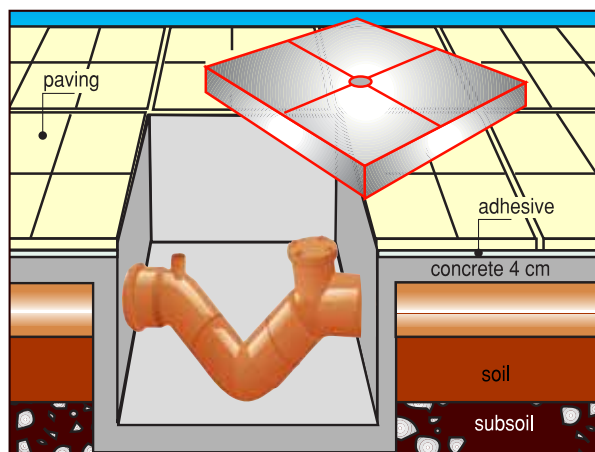
monolithic Firenze siphon (2 caps)

ORANGE

Ø mm	A mm	B mm	PACK	EURO	REF.
100	462	260	4		05216
125	504	295	4		03472
140	565	340	2		03497
160	647	377	2		03480
200	-	-	1		03498



TECHNICAL SPECIFICATIONS



APPLICATION

MATERIAL PVC - ORANGE

HOW TO VENTILATE

- 1 S & W NETWORK WITH ONE COLUMN
- 2 S & W NETWORK WITH TWO COLUMNS
- 3 S & W NETWORK WITH TWO COLUMNS AND DIRECT CONNECTIONS

