

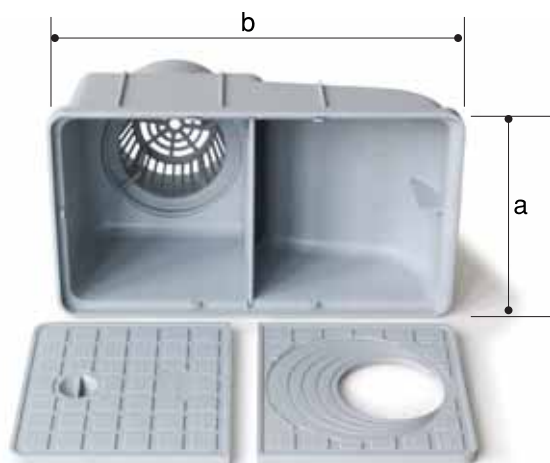


EURO PLAST Rainwater gullies



Flow rate in accordance with regulation EN 12534 §8.11 - **TESTED BY** untrapped rainwater gully

	FLOW RATE	Ø	Ø1	h	DIM. a x b	PACK	EURO	REF.
■ grey	4,9	100	50/75/80/90 100/110/125	195	166 x 300	6		06167
■ grey	4,9	110	75/80/90 100/110/125	195	166 x 300	6		06166
■ black	4,9	100	50/75/80/90 100/110/125	195	166 x 300	6		06168
■ black	4,9	110	75/80/90 100/110/125	195	166 x 300	6		06165
■ brown	4,9	100	50/75/80/90 100/110/125	195	166 x 300	6		06117
■ brown	4,9	110	75/80/90 100/110/125	195	166 x 300	6		06118



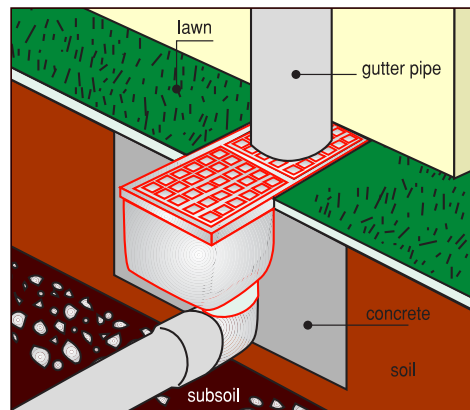
TECHNICAL SPECIFICATIONS



Easy to adapt ▼



Supplied with basket ▲



APPLICATION

MATERIAL PP - GREY RAL 7035/BLACK/BROWN

RAINWATER GULLIES



trapped rainwater gully with round inlet and vertical outlet

Flow rate in accordance with regulation EN 1253-1 §8.11 - **TESTED BY CSTB**

	NOTES	DIM. axb	PACK	EURO	REF.	FLOW RATE (l/s)	
						with cover	with grill
■ grey	inlet: \varnothing 80, \varnothing 100 outlet: \varnothing 100	380 x 156	3		05981	0,9	1,4
■ grey	inlet: \varnothing 75, \varnothing 90, \varnothing 110 outlet: \varnothing 110	380 x 156	3		05982	0,9	1,4
■ grey	inlet: \varnothing 80, \varnothing 100 outlet: \varnothing 110	380 x 156	3		05984	0,9	1,4
■ black	inlet: \varnothing 75, \varnothing 90, \varnothing 110 outlet: \varnothing 110	380 x 156	3		05983	0,9	1,4
■ black	inlet: \varnothing 80, \varnothing 100 outlet: \varnothing 110	380 x 156	3		06172	0,9	1,4



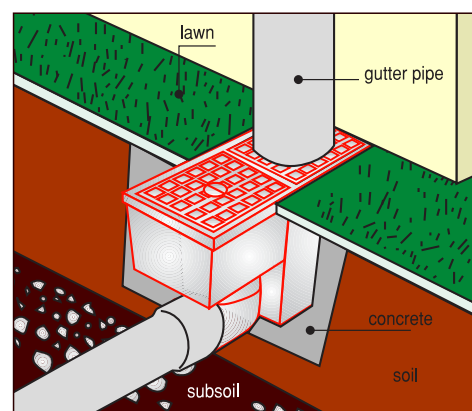
TECHNICAL SPECIFICATIONS



h	outlet \varnothing	inlet \varnothing 1- \varnothing 2	ref.
197	100	80/100	05981
197	110	75/90/110	05982
197	110	80/100	05984



Supplied with basket ▲



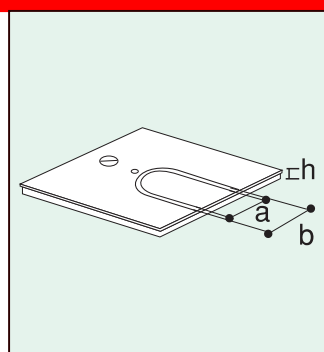
APPLICATION

pluvial cover (PVC)

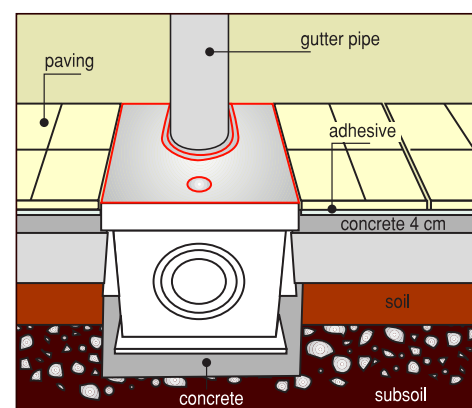
NOTES	DIM.	PACK	EURO	REF.
inlet: \varnothing 80, \varnothing 100	300 x 300	10		05985



TECHNICAL SPECIFICATIONS



h	a	b	ref.
24	80	100	05985



APPLICATION

MATERIAL PP - GREY RAL 7035/BLACK

RAINWATER GULLIES



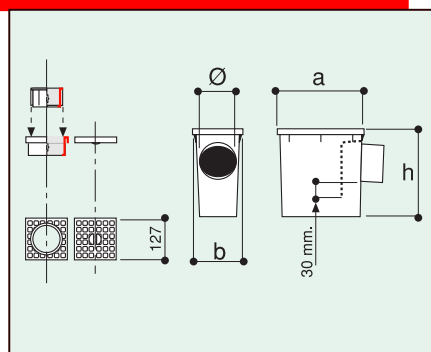
trapped rainwater gully with round inlet and horizontal outlet

Flow rate in accordance with regulation EN 1253-1 §8.11 - TESTED BY **CSTB**

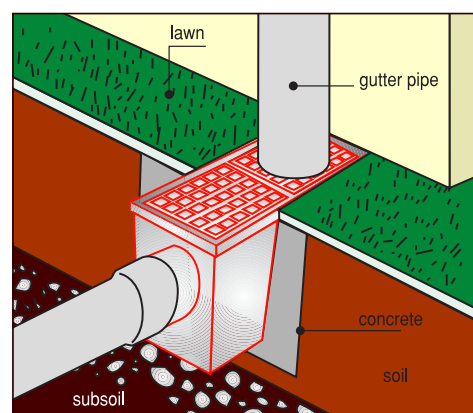
FLOW RATE (l/s)	NOTES	DIM. a x b	PACK	EURO	REF.
2,3	inlet: \varnothing 80, \varnothing 100 outlet: \varnothing 100	240 x 128	16		05100
2,8	inlet: \varnothing 80, \varnothing 100 outlet: \varnothing 110	240 x 128	16		05494
2,7	inlet: \varnothing 75, \varnothing 110 outlet: \varnothing 110	240 x 128	16		05751



TECHNICAL SPECIFICATIONS



h	outlet \varnothing	inlet \varnothing	ref.
215	100	80/100	05100
215	110	80/100	05494
215	110	75/110	05751



APPLICATION

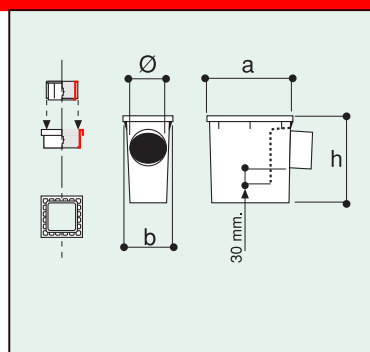
trapped rainwater gully with square inlet and horizontal outlet

Flow rate in accordance with regulation EN 1253-1 §8.11 - TESTED BY **CSTB**

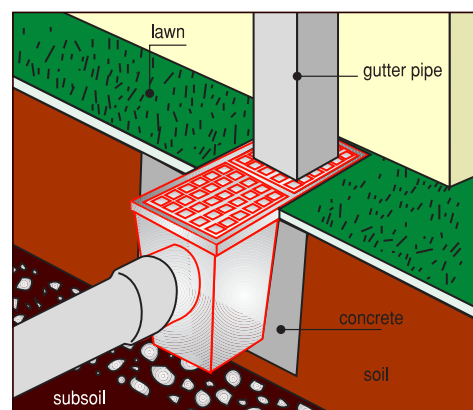
FLOW RATE (l/s)	NOTES	DIM. a x b	PACK	EURO	REF.
2,3	inlet: 80 x 80, 100 x 100 outlet: \varnothing 100	240 x 128	16		05101
2,3	inlet: 80 x 80, 100 x 100 outlet: \varnothing 110	240 x 128	16		05495



TECHNICAL SPECIFICATIONS



h	outlet \varnothing	inlet \varnothing	ref.
215	100	80 x 80/100 x 100	05101
215	110	80 x 80/100 x 100	05495



APPLICATION

MATERIAL PP - GREY RAL 7035

RAINWATER GULLIES



spare parts

NOTES	DIM.	PACK	EURO	REF.
rainwater grill	222 x 148	20		04482
rainwater cover	222 x 148	20		04487
round adaptor 80-100	Ø1/80 - Ø2/100	20		04492
round adaptor 75-110	Ø1/75 - Ø2/110	20		04493



spare parts

NOTES	Ø1	Ø2	PACK	EURO	REF.
round adaptor 80-100	80	100	20		04471
round adaptor 75-110	75	110	20		04472



spare parts

NOTES	Ø1	Ø2	PACK	EURO	REF.
round adaptor 80-100	80	100	20		04473

NOTES	DIM.	PACK	EURO	REF.
rainwater cover	118 x 118	20		04474



MATERIAL PP - GREY RAL 7035

FLOW RATE CONFORMITY IN ACCORDANCE WITH REGULATION EN 1253-1 § 8.11

